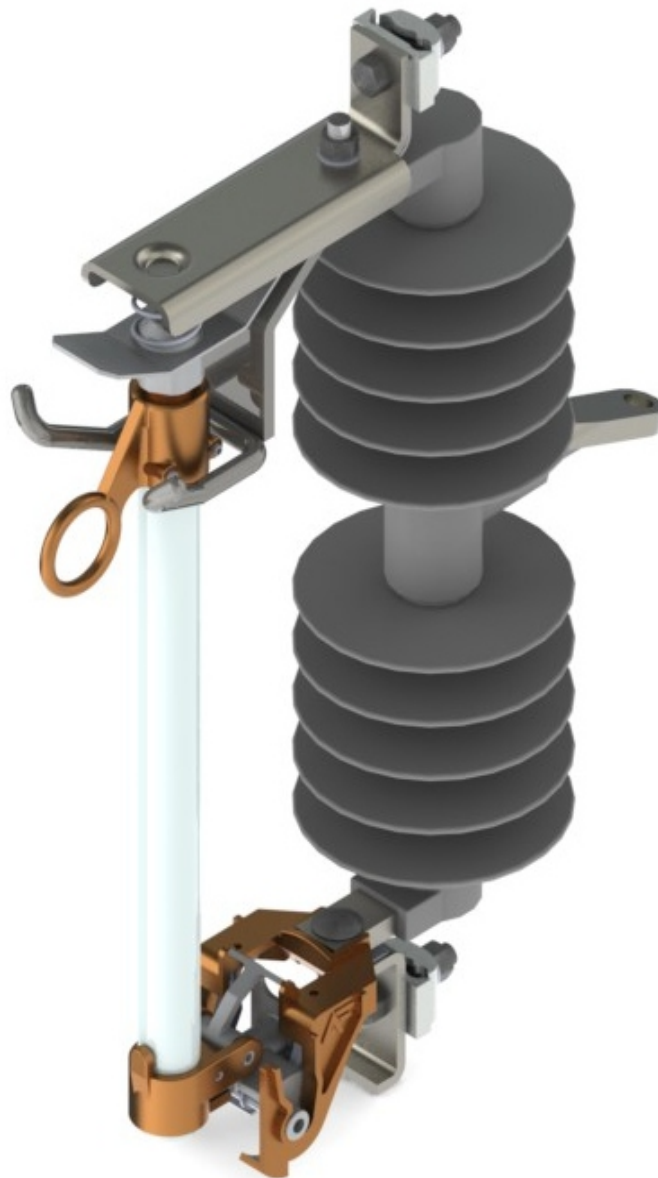




# Porcelain & Polymer Cutouts Catalog

***Meets New IEEE Standard: C37.41-2016***



***Designed for years of reliable service***



RUS Approved



ALUMA-FORM®

# 15kV & 27kV Porcelain & Polymer Fused Cutouts

## Aluma-Form Quality

Aluma-Form has a long history of providing quality products for the Electric Utility industry. You can expect the same quality in every fused cutout you receive, helping the job get done right the first time.

## Superior Performance

Key Features:

### ***Meet New Standard: ANSI C37.41-2016***

All copper current path provides minimum electrical resistance.

Lower contacts are backed up by stainless steel springs to ensure excellent current transfer with the fuse tube trunnion.

Rugged construction designed to withstand heavy fault interrupt and reclosure forces.

Interchangeable fuse holder design compatible with other cutouts in the utility market.

Moisture resistant fiberglass reinforced fuse tube with arc-quenching inner liner and a UV resistant exterior coating.

Grooved flipper with stainless steel torsion spring provides proper fuselink tension and prevents breakage.

Silver plated moveable contacts for steady current transfer and low operating temperatures.

RUS approved.

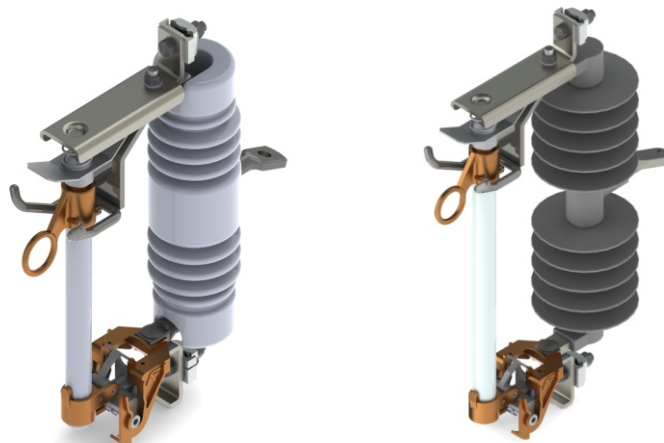
Certified ANSI 37.41 and 37.42

100% Electric Test - AC Dry Withstand

Silicone offering for superior weathering.

100% Mechanical Test

3 Connector Styles - Parallel Groove(Clam Shell), Large Eye Bolt, Small Eye Bolt





**ALUMA-FORM®**

# 15kV & 27kV Porcelain & Polymer Cutouts

## Catalog Number System

**CPG 15 LD - 100A K - 110 - C B 10KA**

15 = 15kV  
27 = 27kV

100A = 100 amp fuse barrel  
200A = 200 amp fuse barrel  
300A = 300 amp solid blade  
Add "K" for Kickout Spring

110 = 110 BIL - 15kV  
125 = 125 BIL - 27kV  
150 = 150 BIL - 27kV  
170 = 170 BIL - 27kV\*

10KA \_ for 15KV  
or 100A  
16KA

8KA \_ for 27KV  
or 100A  
12KA \*only 12KA  
for 170 bil

12KA - for 15KV  
200A

10KA - for 27KV  
200A

CPG = Porcelain-Galvanized  
CSG = Silicone-Galvanized  
CPS = Porcelain-Stainless  
CSS = Silicone-Stainless

Blank - Standard Cutout  
LD - Style Loadbreak  
LX - Style Loadbreak  
LK - Linkbreak Cutout

### CONNECTOR

C = Clam Shell - #6 Solid to 4/0 ACSR  
see page 4 for configuration options  
E = Large Eye - #6 Solid to 4/0 ACSR  
(250 stranded)  
S = Small Eye - #8 Solid to 2/0 stranded  
N = None

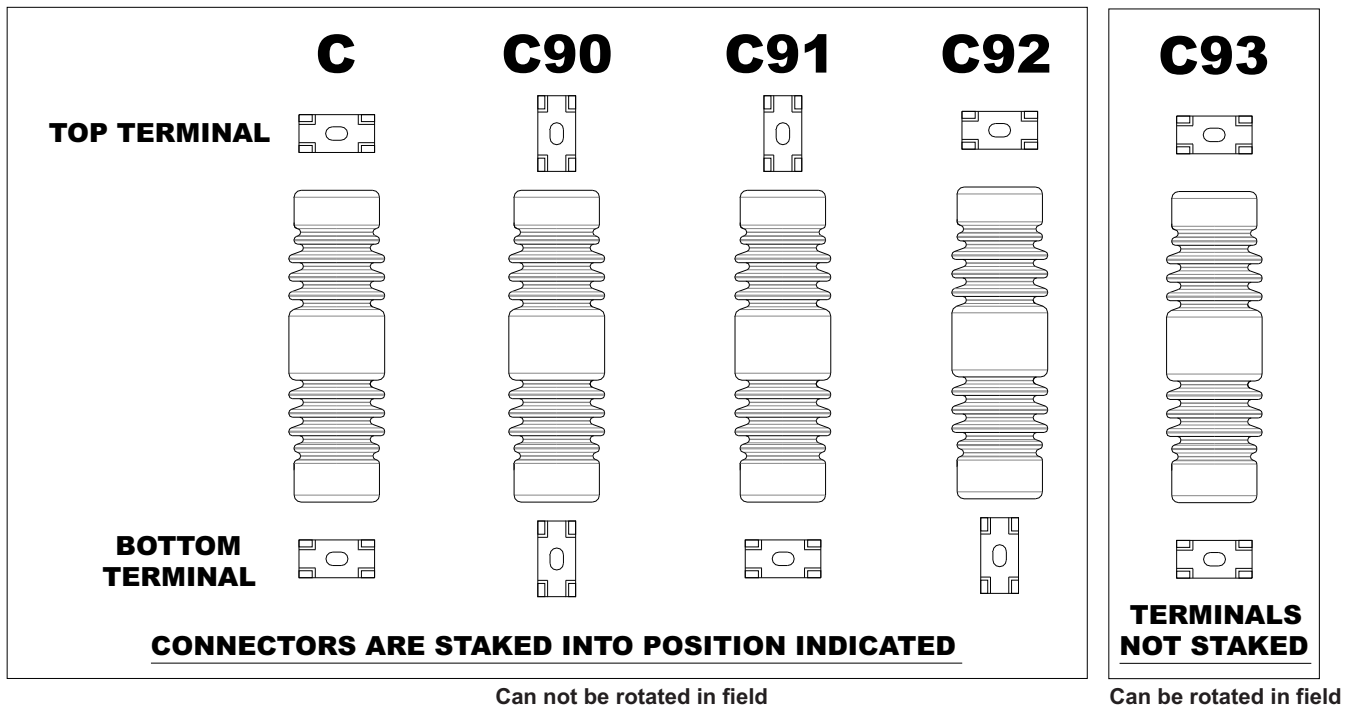
**BRACKET**  
B = NEMA "B"  
X = Extended "B"  
N = No Bracket





ALUMA-FORM®

# Parallel Groove Connectors Assembly Styles

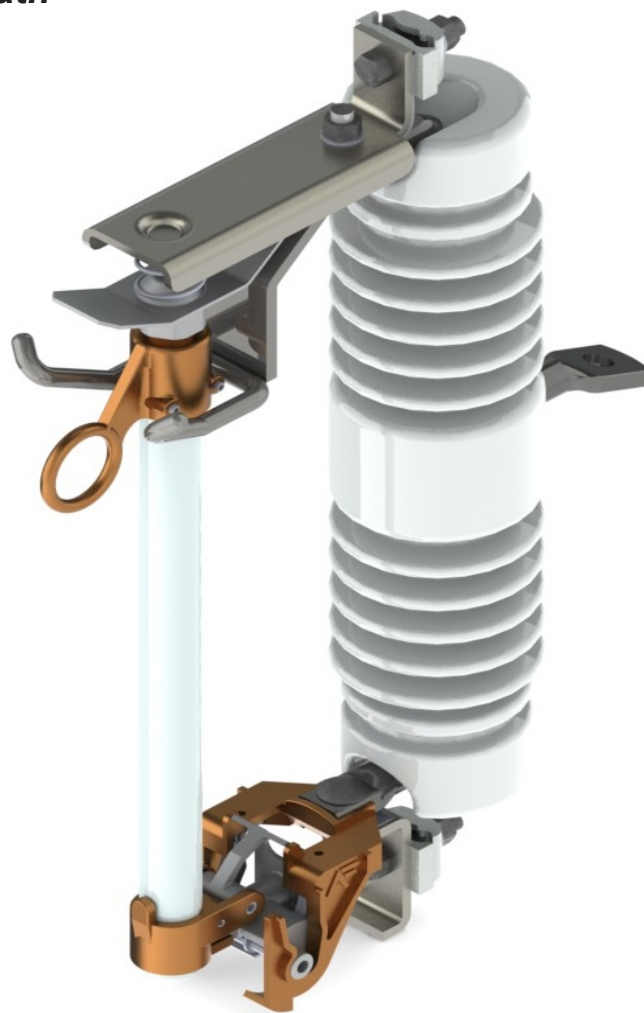




# 15 & 27 kV Porcelain Cutouts

**ALUMA-FORM®**

- ***Meets New IEEE Standard: ANSI C37.41-2016***
  - 15kV - 110 BIL***
  - 27kV - 125, 150 & 170 BIL options***
- ***100 Amp or 200 Amp fused options***
- ***300 Amp Solid Blade***
- ***All Copper Current Path***



**CPG15-100A-110-CN-10KA**



# 15 & 27 kV Polymer Cutouts

**ALUMA-FORM®**

**- Meets New IEEE Standard: ANSI C37.41-2016**

**15kV - 110 BIL**

**27kV - 125, 150 & 170 BIL options**

**- 100 Amp or 200 Amp fused options**

**300 Amp Solid Blade**

**- All Copper Current Path**



**CSG15-100A-110-CN-10KA**



# 15 & 27 kV Load Break Porcelain Cutouts

**ALUMA-FORM®**

- ***Meets New IEEE Standard: ANSI C37.41-2016***

***15kV - 110 BIL***

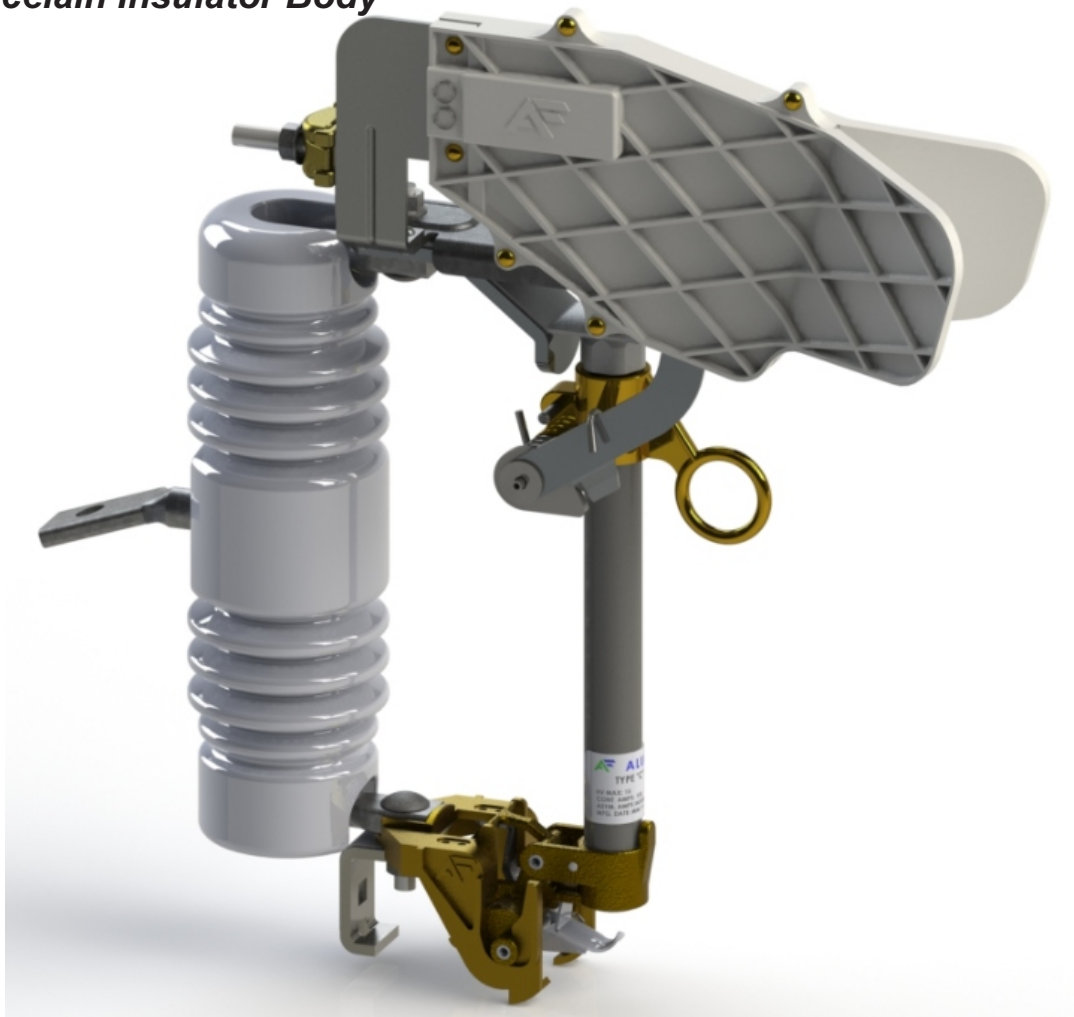
***27kV - 125, 150 & 170 BIL options***

- ***100 Amp or 200 Amp fused options***

***300 Amp Solid Blade***

- ***All Copper Current Path***

- ***Tough Porcelain Insulator Body***



**CPG15LD-100A-110-CN-10KA**

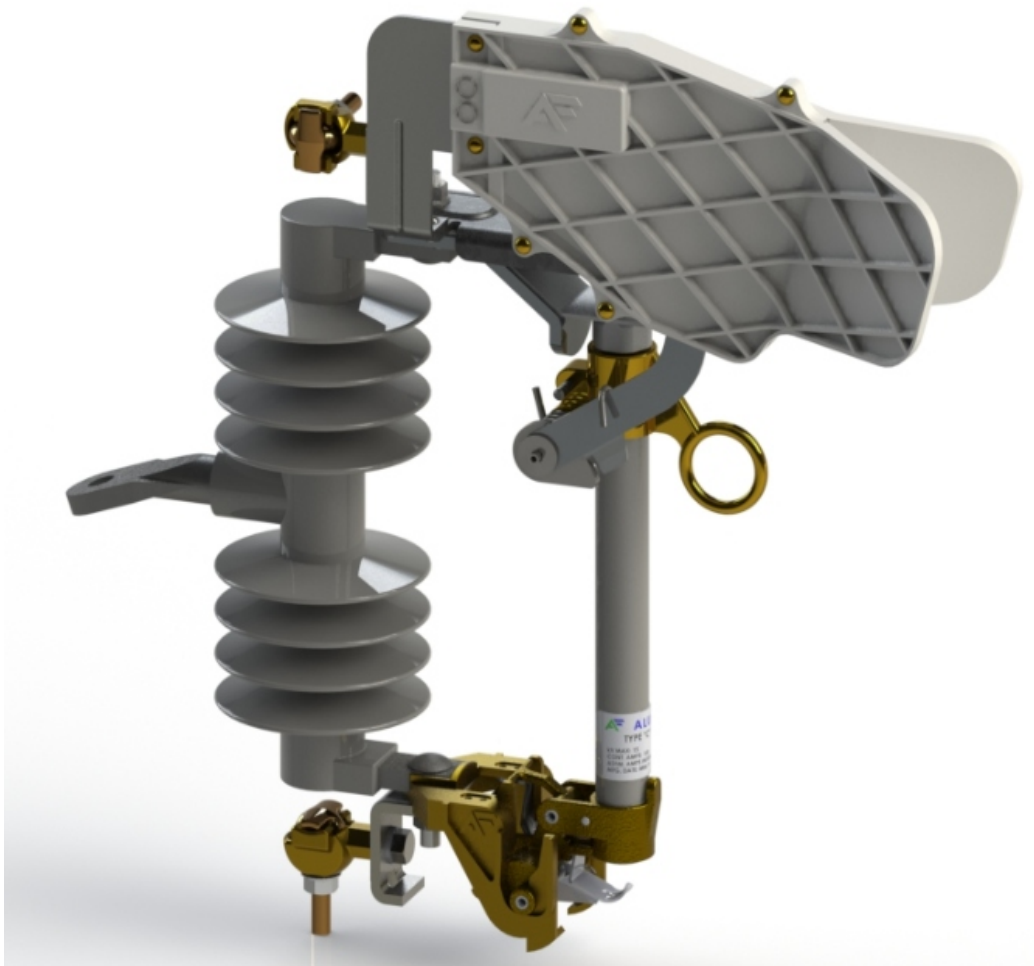




# 15 & 27 kV Load Break Polymer Cutouts

**ALUMA-FORM®**

- **Meets New IEE Standard: ANSI C37.41-2016**
  - 15kV - 110 BIL**
  - 27kV - 125, 150 & 170 BIL options**
- **100 Amp or 200 Amp fused options**
  - 300 Amp Solid Blade**
- **All Copper Current Path**
- **Tough Silicone Insulator Body**



**CSG15LD-100A-110-CN-10KA**





# 15 & 27 kV Load Break Porcelain Cutouts

**ALUMA-FORM®**

- **Meets New IEEE Standard: ANSI C37.41-2016**
  - 15kV - 110 BIL
  - 27kV - 125, 150 & 170 BIL options
- **100 Amp or 200 Amp fused options**
  - 300 Amp Solid Blade
- **All Copper Current Path**
- **Tough Porcelain Insulator Body**



**CPG15LX-100A-110-CN-10KA**



# 15 & 27 kV Load Break Polymer Cutouts

**ALUMA-FORM®**

***Meets New IEEE Standard: ANSI C37.41-2016***

***15kV - 110 BIL***

***27kV - 125, 150 & 170 BIL options***

***- 100 Amp or 200 Amp fused options***

***300 Amp Solid Blade***

***- All Copper Current Path***

***- Tough Silicone Insulator Body***



**CSG15LX-100A-110-CN-10KA**



# 15 & 27 kV Link Break Polymer Cutout

**ALUMA-FORM®**

- **Meets New IEEE Standard: ANSI C37.41-2016**
  - 15kV - 110 BIL
  - 27kV - 125, 150 & 170 BIL options
- 100 Amp or 200 Amp fused options
- All Copper Current Path
- Tough Silicone Insulator Body
- High Strength Fuse Tube



**CSG15LK-100A-110-CN-10KA**



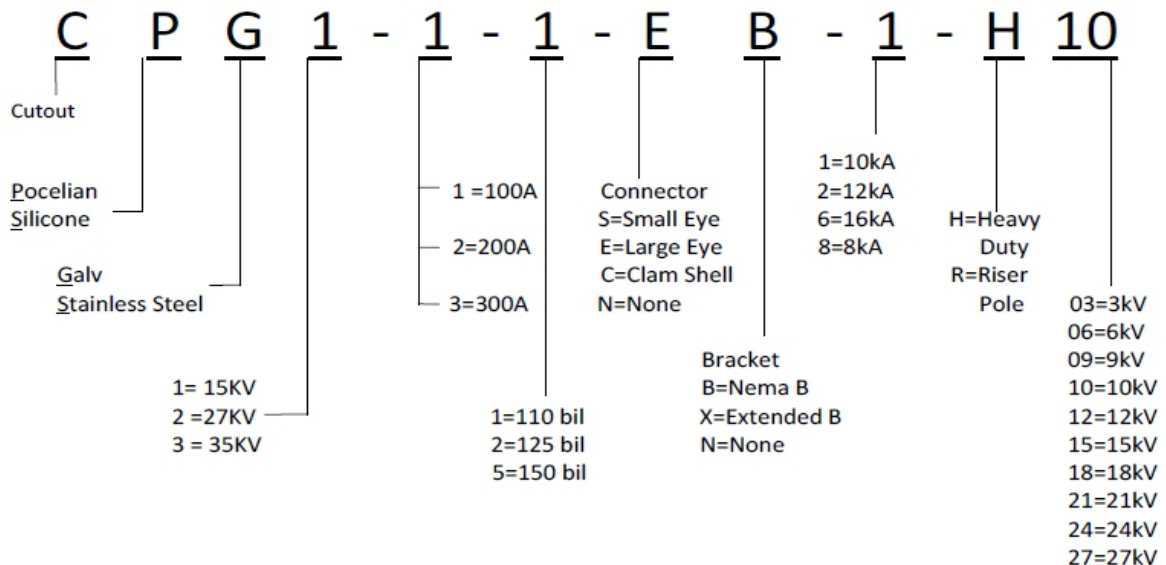
ALUMA-FORM®

# Cutout / Arrester Combo



-----Cutout Style-----

I-Arrester Style-I



\*Please note that the arrester style for the combo unit is our standard arrester housing and isolator bracket with a ground lead disconnect, wild life protection cap, no line or ground lead and with the following hardware on top and bottom: SS nut, 4-corner, flat washer, lock washer.

Different configurations can be ordered. Please contact you regional sales manager or sales agency for details.



**ALUMA-FORM®**

3625 Old Getwell Rd. / Memphis, TN 38118 / P.O. Box 18555 / Memphis, TN 38181-0555 / Phone 901-362-0100 / Fax 901-794-9515  
[www.alumaform.com](http://www.alumaform.com)

©2011 Aluma Form, Inc.